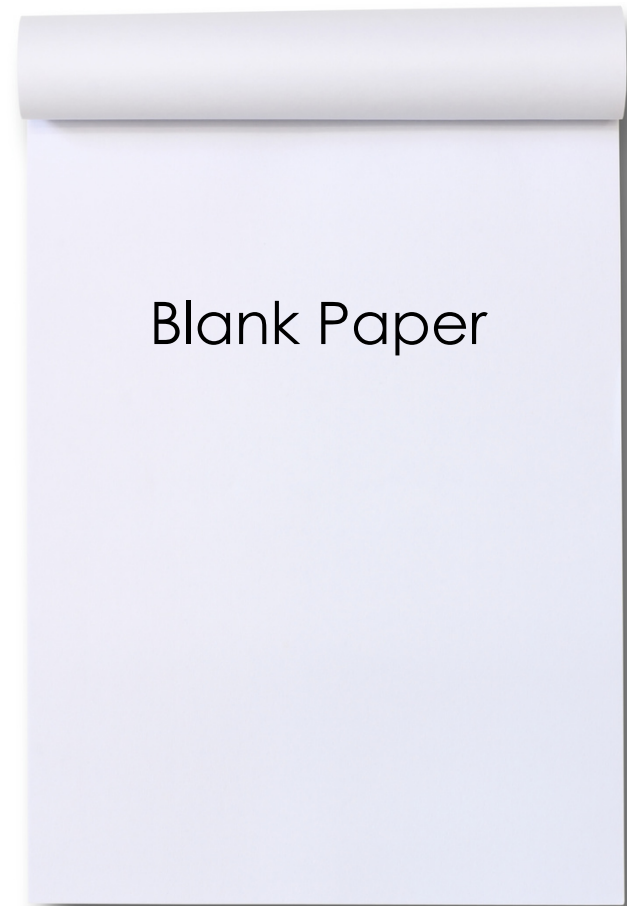
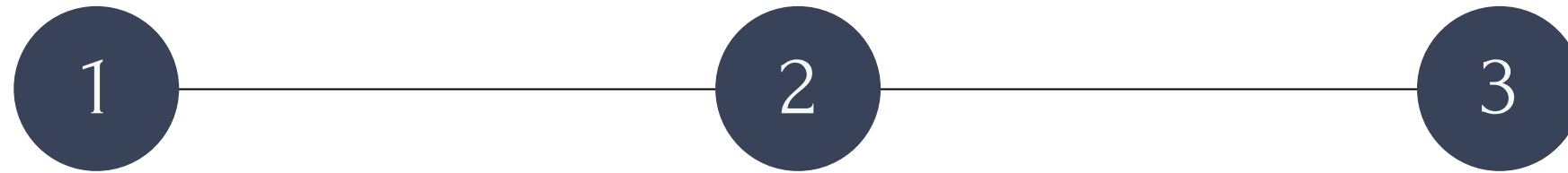


HOW TO MEASURE A ROOM

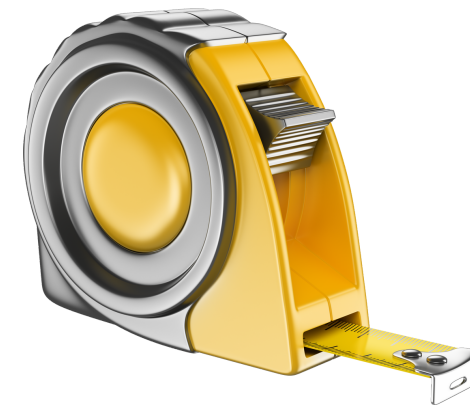
Lisa Fontaine Design Studio: E-Design



TOOLS NEEDED



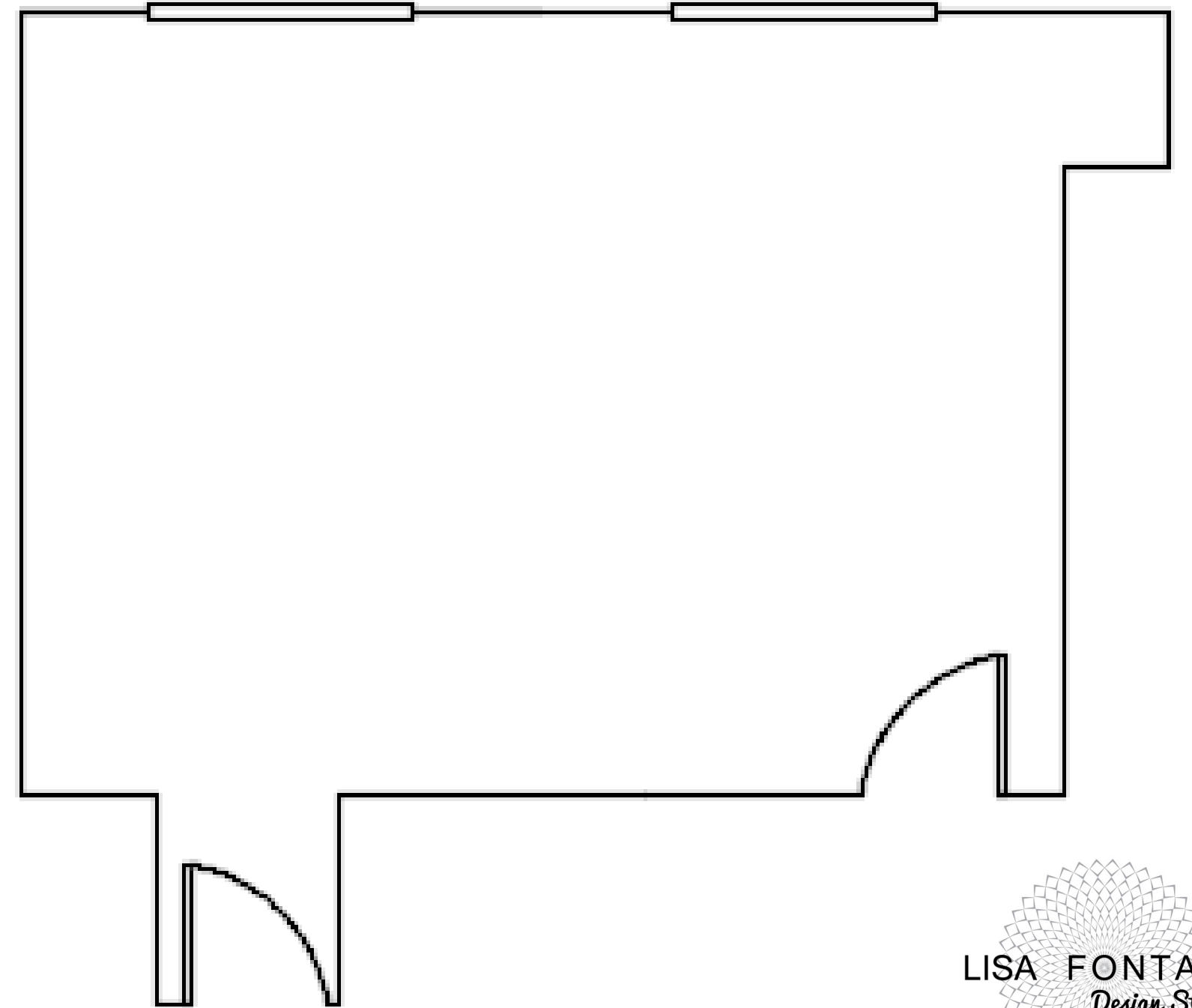
Measuring Tape
and/or Laser



STEP 1: SKETCH A ROUGH OUTLINE OF THE ROOM

NOTES:

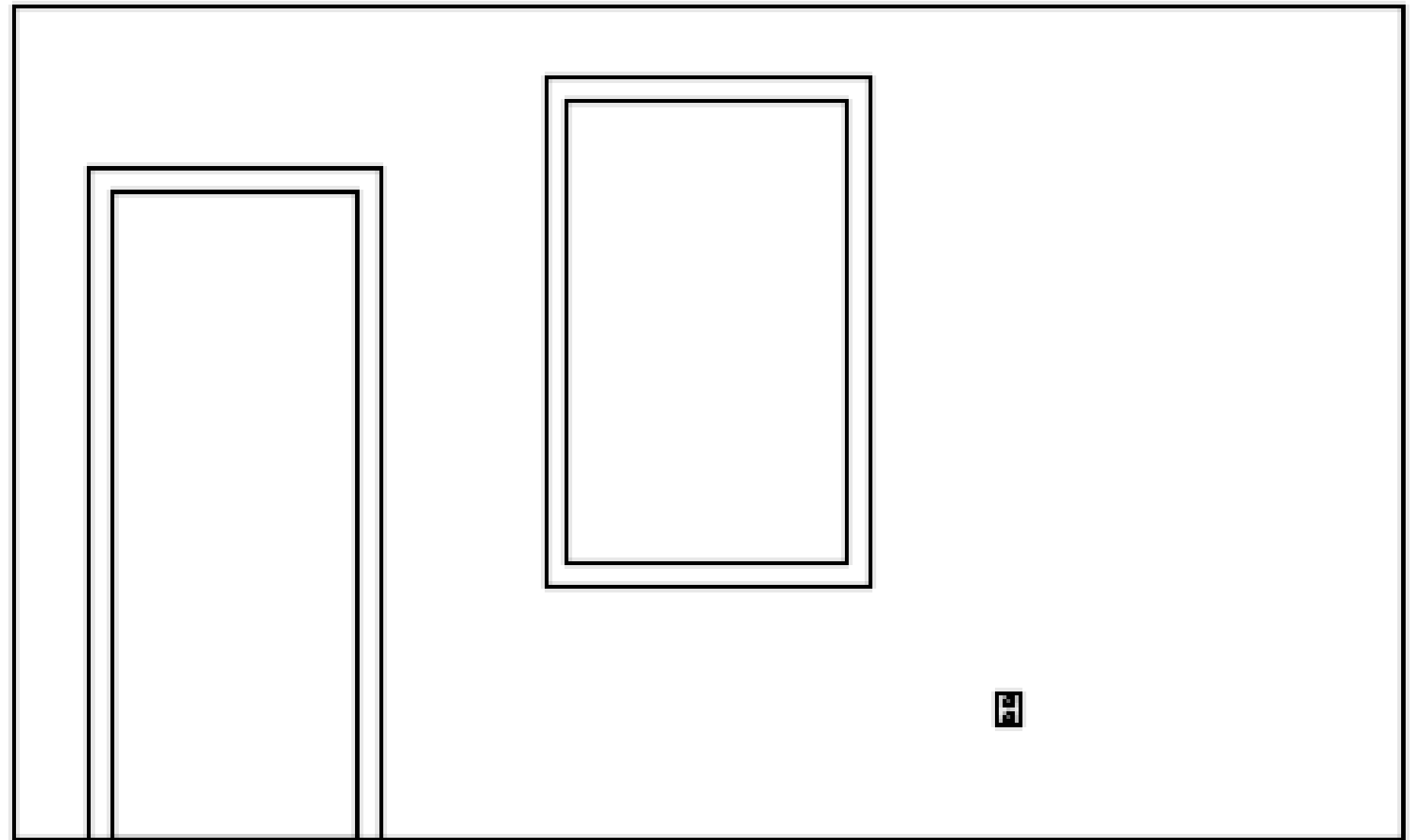
1. This does not need to be to scale.
Just a rough outline showing the
shape of the room, any bump-outs,
doors and windows and which
direction they open.



STEP 2: SKETCH EACH WALL

NOTES:

1. Please include position of all fixed objects such as: doors, windows, outlets, switches, radiators, etc., anything necessary to work around.
2. Again, this does not need to be to scale, just a simple line drawing making note of all fixed objects



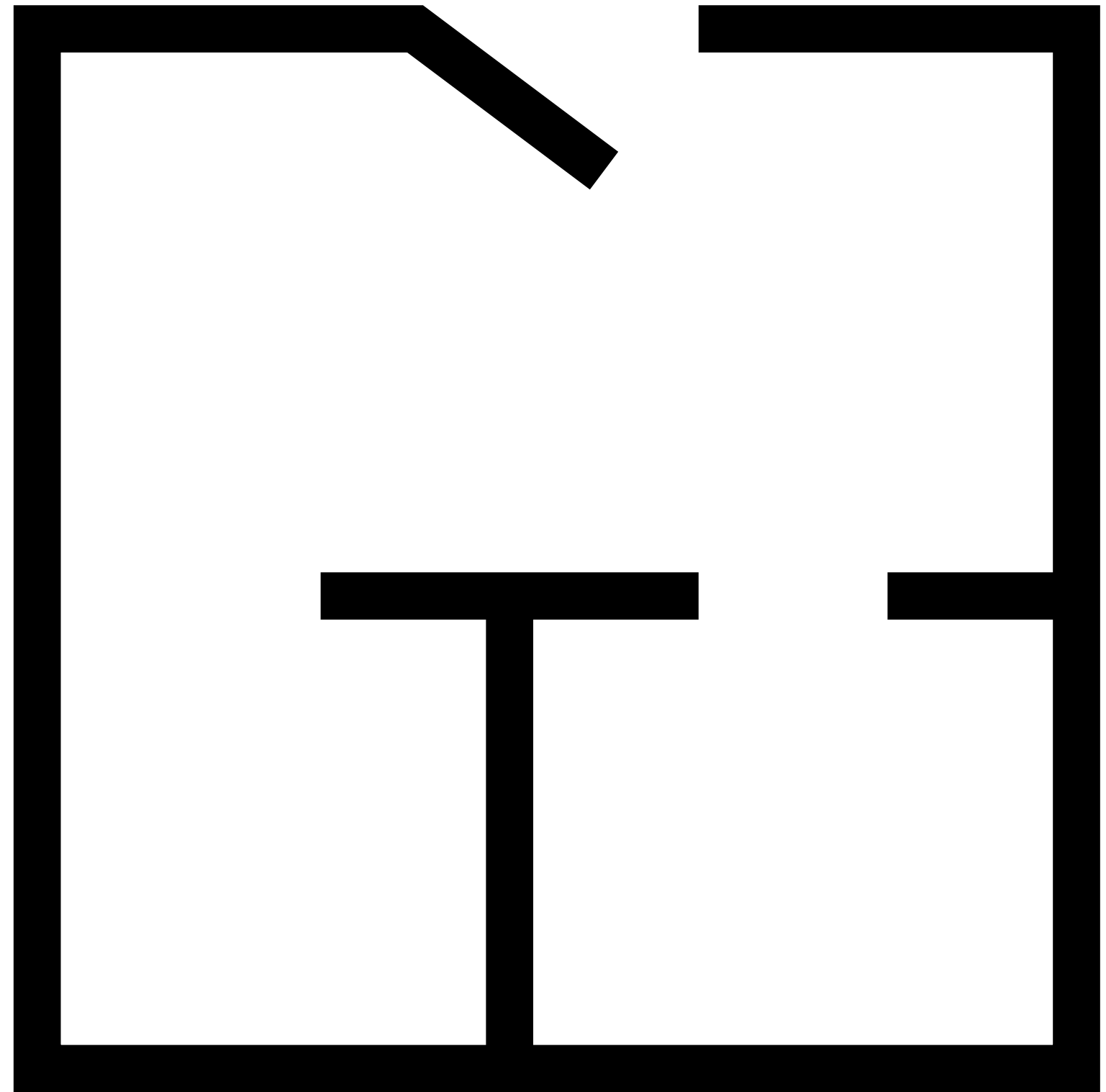
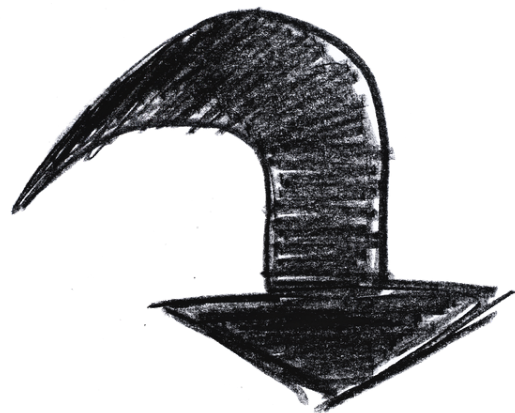
How are you doing so far?!

Don't stress.. there is not going to be a grade for your line drawings!



Let's Begin!

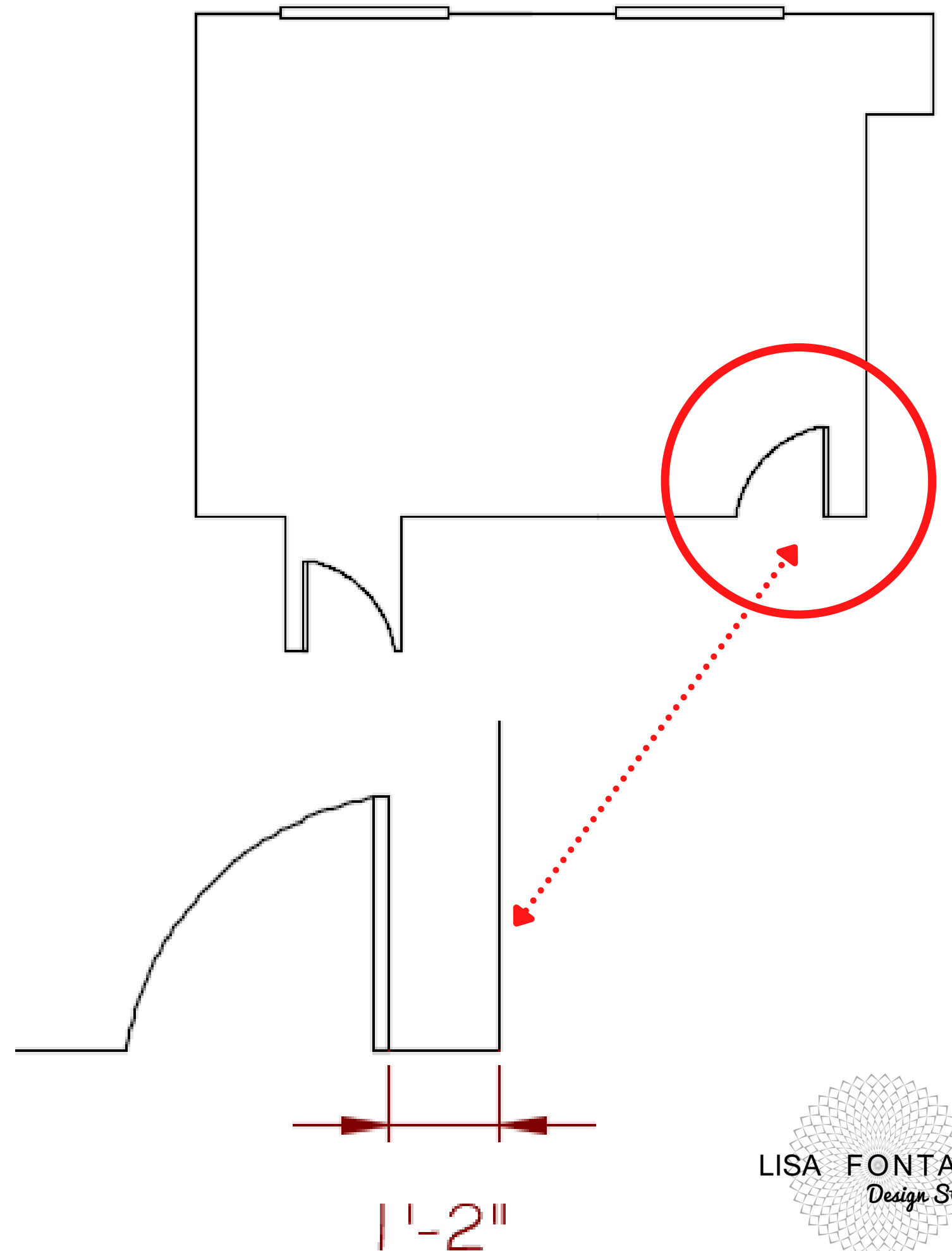
Pick a starting point
and work clockwise
from it so you don't
leave anything out.



STEP 3: ADD DIMENSIONS TO YOUR SKETCHES

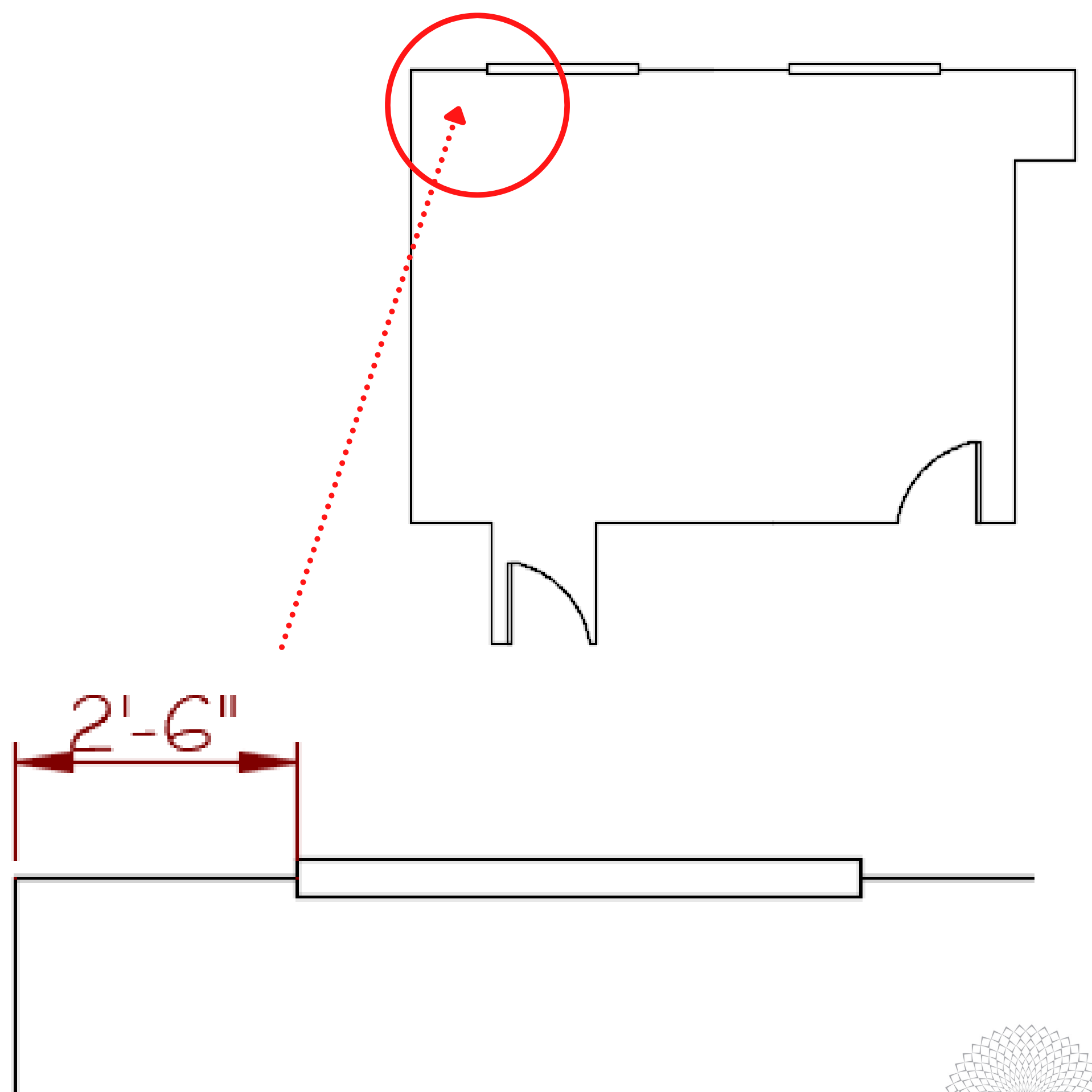
NOTES:

1. Start by measuring between each fixed point in a room: For Example, that means measuring the distance between the edge of a door frame to the corner of a wall.



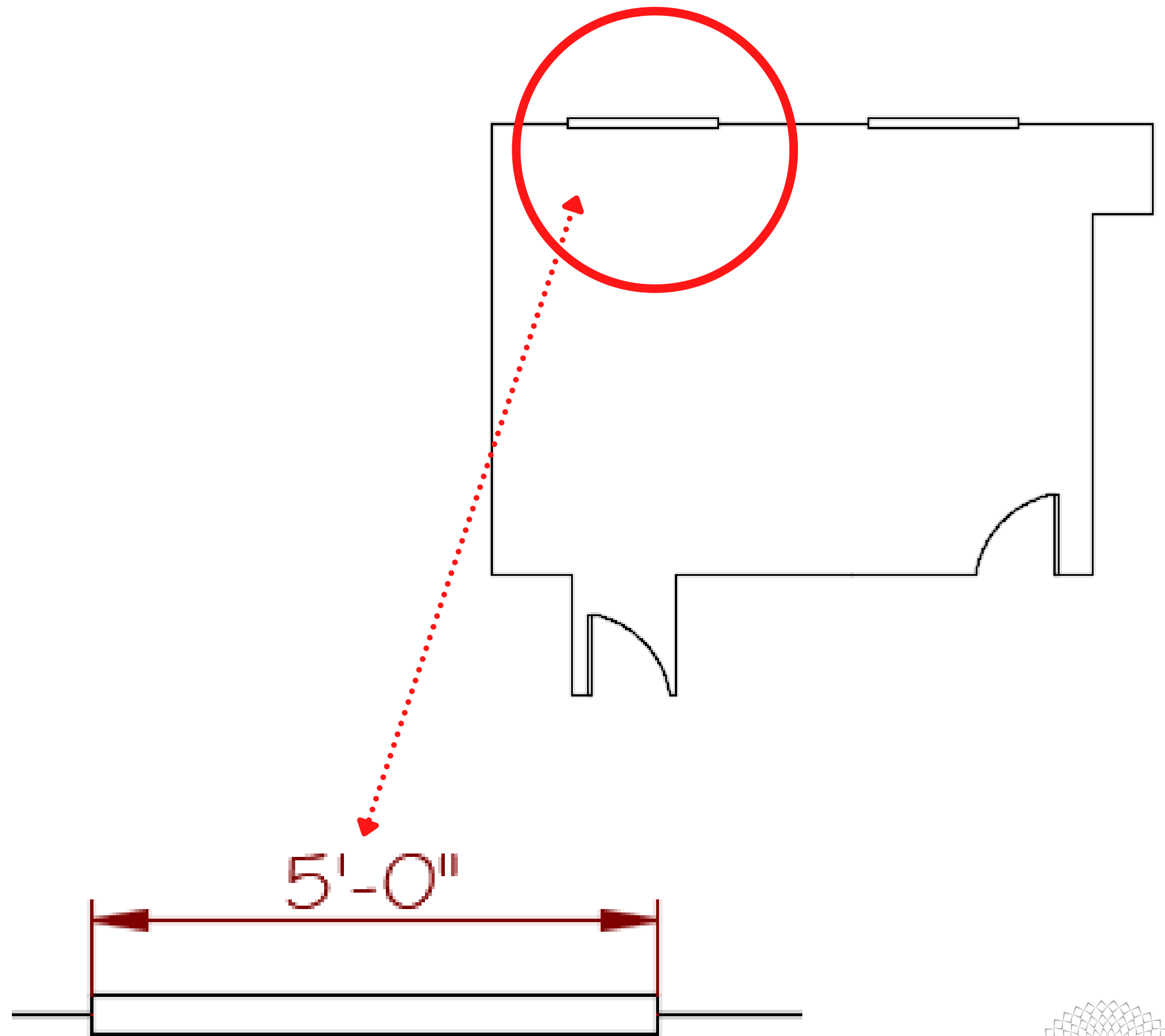
NOTES:

1. Another Example is the corner of the room to the edge of the window frame.



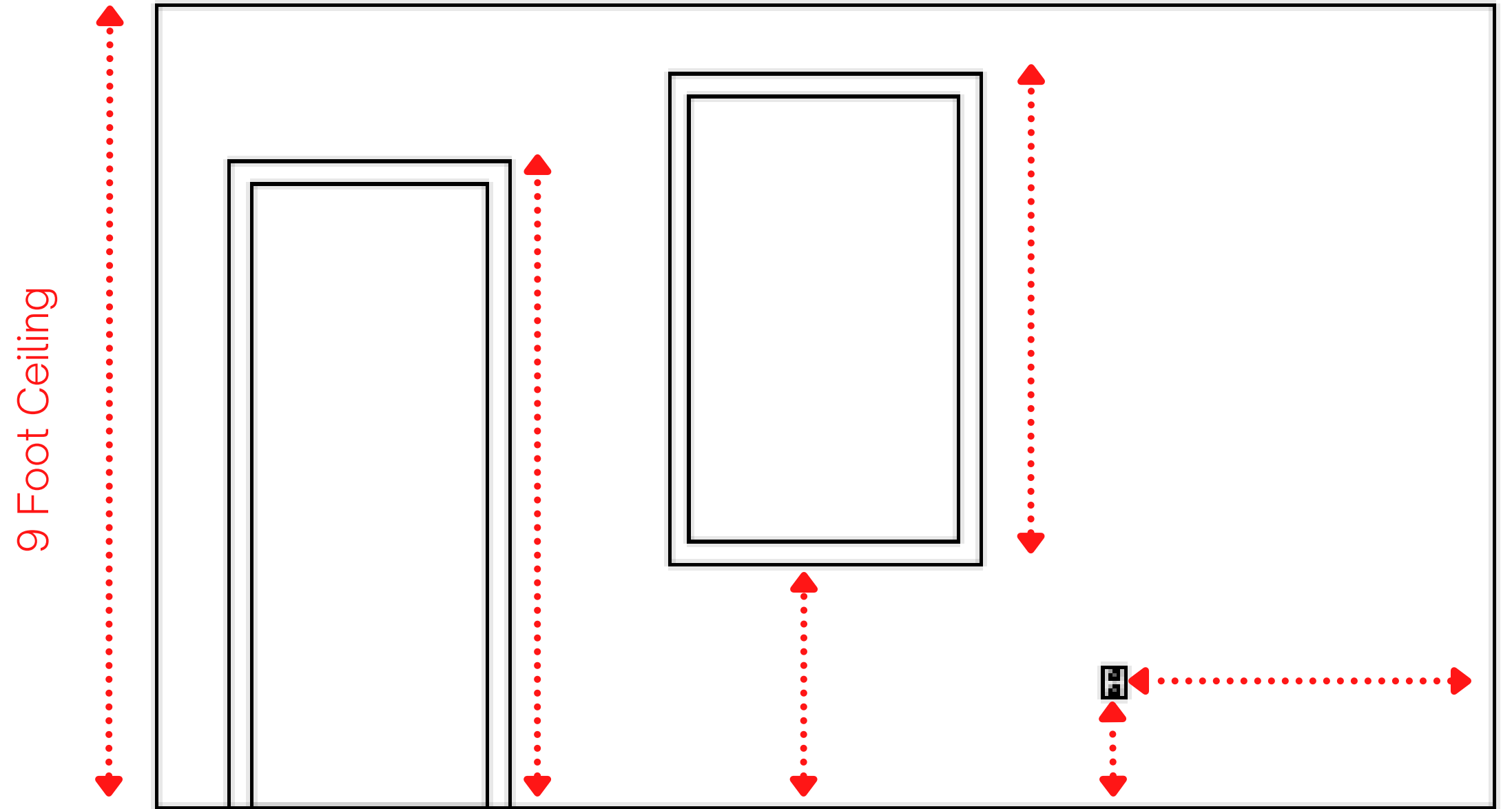
NOTES:

1. Another Example: is measuring the window from outside frame to outside frame, and so on!



NOTES:

1. Please include the ceiling height on one of your wall drawings, and any other vertical distances until till the entire space is dimensioned



Remember:
It's the measurements that
matter here, not the drawing!

As long as your diagram is clear
and your numbers are correct!

You don't need to produce a
work of art.



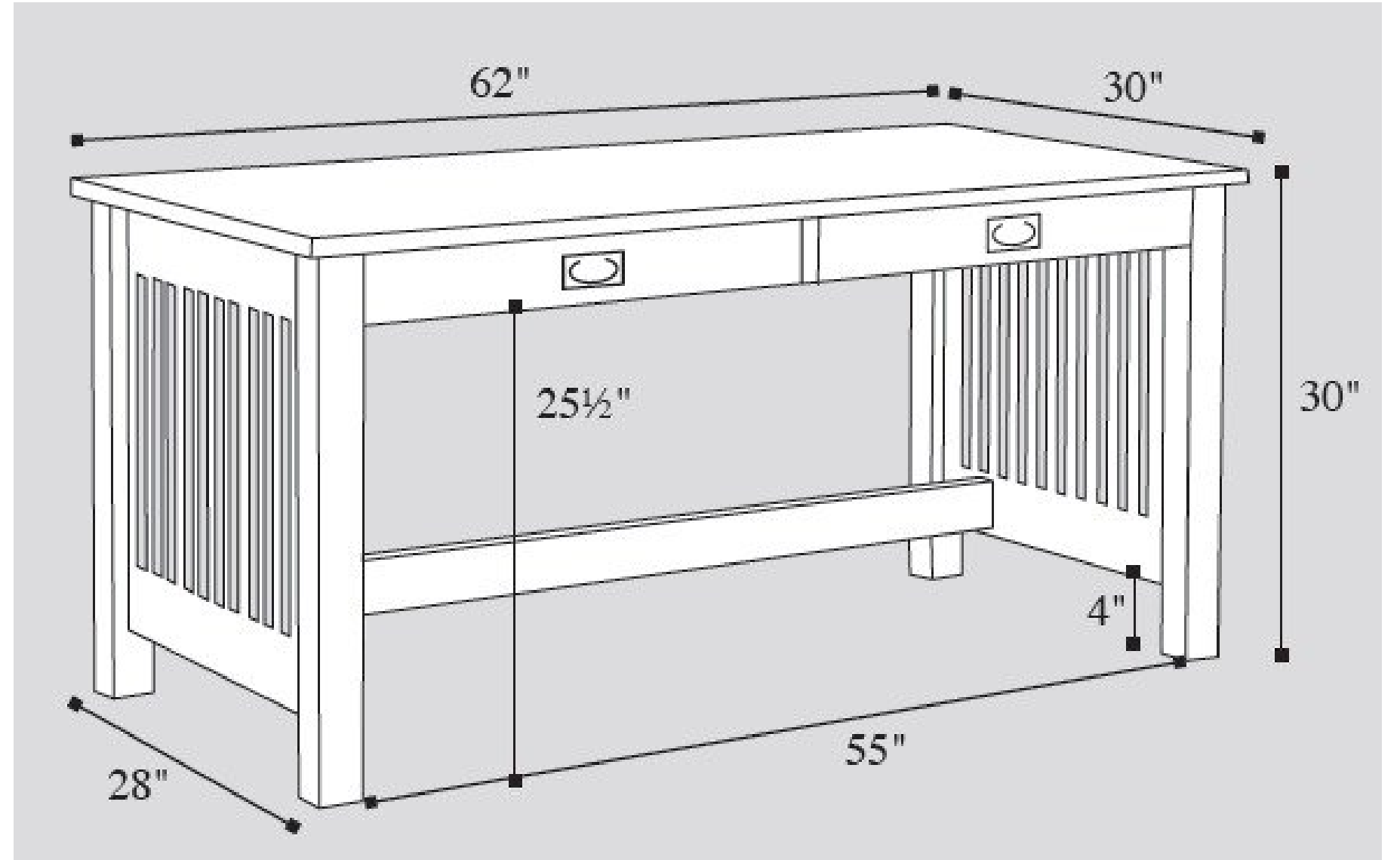
A'zone Millennium



STEP 4 EXISTING FURNITURE DIMENSIONS

NOTES:

1. If you are keeping any existing furniture for your project, please include all dimensions of those pieces.
2. Length x Width x Depth x Height



FINISHED! YOU DID IT!

NOTES:

1. Please include photos of the entire space. Too many photos is never enough!
2. Full room shots and also individual wall shots. however you can most accurately photograph the room so I can get a full view,.

